

# Allmand

## TLB Series

### TLB 425 ESL



TLB 220

TLB 225

TLB 325

**TLB 425 ESL**

TLB 535 ESL

TLB 6235 ESL

- Equipped with Allmand ESL 8.5' backhoe for great performance and long life
- Servo controlled hydrostat provides smooth operation, reduced pedal effort and no creep
- Planetary rear axle provides durability and increased power to the wheels

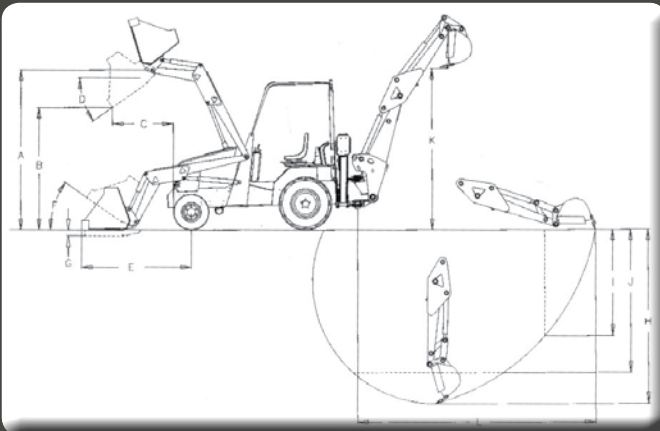
**Strong Past. Dynamic Future.**

*Reliability, performance,  
and integrity since 1938*



### SPECIFICATIONS

Engine:	Kubota D1105, 25 hp, liquid-cooled diesel
Transmission:	Eaton servo-controlled hydrostatic (65 hp rated)
Drive Motor:	Axial piston motor
Power Steering:	Load-sensing hydraulic steering with balanced steering cylinder
Differential:	Comer off-highway, planetary, limited slip
Speed Range:	0 to 5.5 mph (0 to 8.8 km/h)
Aux. Hyd.	
Output:	8 gpm @ 2,400 psi
Tires:	Front: 23 x 10.5-12 Rear: 31 x 15.5-15
Capacities:	Fuel 12 gal. (45.5 L) Hydraulic oil: 12 gal. (45.5 L)
Loader:	Single-lever joystick with bucket float Bucket Capacity: 1/2 cu. yd. (.5 cu. m) Breakout force: 3,400 lbs. (1,542 kg) Lift Capacity: 2,100 lbs. (952 kg)
Brakes:	Hydrostatic service brake Hand applied parking brake
Backhoe:	ESL design Digging force: 4,611 lbs. (2,092 kg) @ bucket 2,424 lbs. (1,099 kg) @ dipper Digging depth: 8 ft. 8 in. (2.7 m) 8 ft. 4 in. (2.5 m) 2 ft. flat bottom Buckets: 10 in. (25.4 cm), 12 in. (30.5 cm) 16 in. (std.) (40.6 cm) 18 in. (45.7 cm), 24 in. (61 cm) 36 in. (91.4 cm) 180-degree swing arc with cushioned swing cylinders Steel grouser pads Stabilizers extend to 10 in. (25.4 cm) below grade
Transportation	
Length:	13 ft. 7 in. (4.1 m)
Weight:	4,320 lbs. (1,960 kg)



### WORKING RANGE

- A. Maximum lift height (bucket pivot): 90 in. (2.3 m)
- B. Clearance with bucket dumped: 71 in. (1.8 m)
- C. Reach @ maximum height: 30 in. (76.2 cm)
- D. Bucket dump angle: 30 degrees
- E. Reach @ grade: 49.5 in. (1.7 m)
- F. Bucket rollback angle: 30 degrees
- G. Loader digging depth: 3.3 in. (8.3 cm)
- H. Backhoe digging depth: 8 ft. 8 in. (2.7 m)  
8 ft. 4 in. (2.7 m) 2 ft. flat bottom
- I. Straight wall digging depth: 3 ft. 2 in. (96.5 cm)
- J. Digging depth (8 ft. flat bottom): 6 ft. 7 in. (2.0 m)
- K. Maximum loading height: 7 ft. 7 in. (2.3 m)
- L. Reach from swing post: 11 ft. 3 in. (3.8 m)

### DIMENSIONS

Length:	16 ft. 10 in. (5.1 m)
Height:	84.5 in. (2.1 m) ROPS
Width:	56 in. (1.4 m)
Wheelbase:	65 in. (1.7 m)
Bucket width:	56 in. (1.4 m)
Ground clearance:	11 in. (27.9 cm)