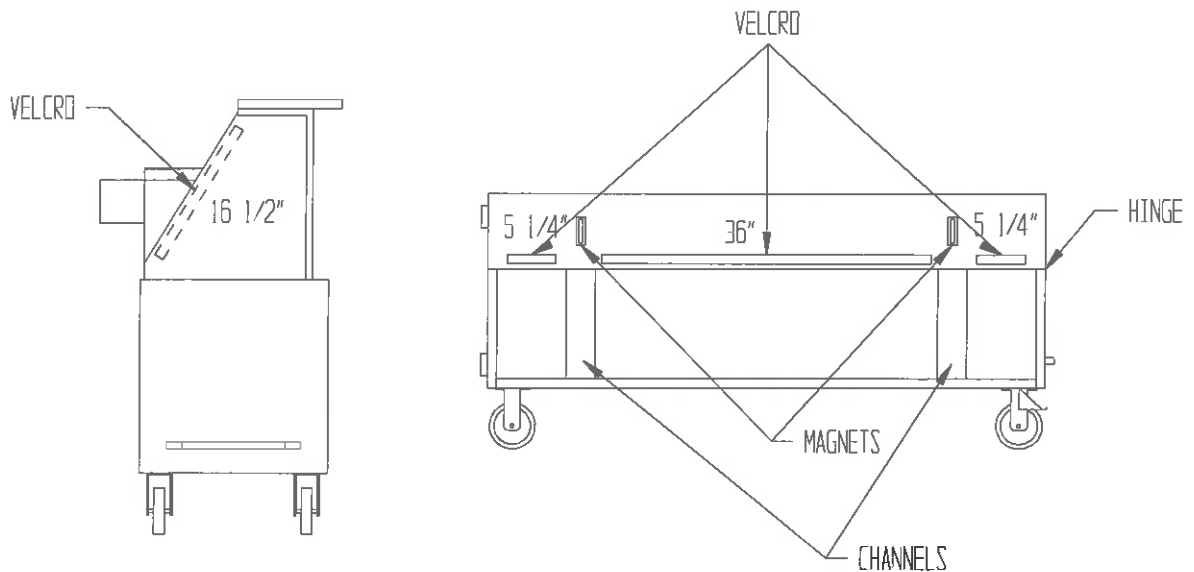


# LACROSSE

## VELCRO INSTALLATION INSTRUCTIONS



- 1. With the bar in closed position, apply velcro (as shown) above hinge.  
No velcro in area just below magnets so channels on hinged top can make proper contact.**
- 2. With bar in opened position, apply velcro (as shown) to inside edge of right & left sides.**

LaCrosse has a policy of continuous product improvement, and reserves the right to change design and specifications without notice.

L150-11965