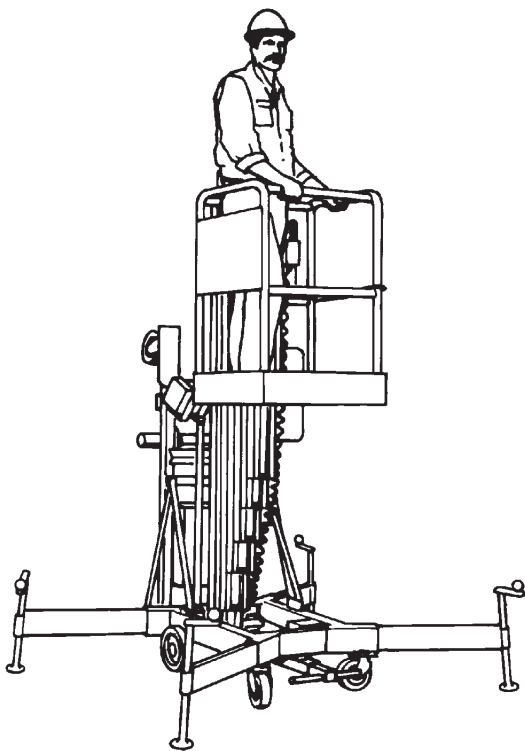


Genie Industries



Genie® AWP

Operator's Manual



Fifth Edition, First Printing
Part No. 33887

Genie® AWP

Important

Read, understand and obey these safety rules and operating instructions before operating this machine. Only trained and authorized personnel shall be permitted to operate this machine. This manual should be considered a permanent part of your machine and should remain with the machine at all times. If you have any questions, call Genie Industries.

Contents

	Page
Safety Rules	1
Controls	6
Legend	7
Pre-operation Inspection	8
Function Tests	10
Workplace Inspection	12
Operating Instructions	13
Battery and Charger Instructions	14
Transport Instructions	16
Tilt-back Operation Instructions	18
Decals	20
Specifications	23

Genie North America

Telephone (206) 881-1800
 Toll Free 800 536-1800 in U.S.A.
 Toll Free 800 426-8089 in Canada
 Fax (206) 883-3475

Genie Europe

Telephone (44) 01636-605030
 Fax (44) 01636-611090

Genie Industries

Copyright © 1993 by Genie Industries

Third Edition: First Printing, March 1993
 Second Printing, June 1994


Fourth Edition: First Printing, July 1994
 Second Printing, October 1994

Fifth Edition: First Printing, January 1995

Genie® is a registered trademark
 of Genie Industries

Registered 2009987

U.S.A. Patent No. 5,121,816
 U.S.A. Patent No. 5,105,913

 Printed on recycled paper

Printed in U.S.A.

Safety Rules



Danger

Failure to obey the instructions and safety rules in this manual will cause death or serious injury.

Do Not Operate Unless:

- You** learn and practice the principles of safe machine operation contained in this operator's manual.

1 Avoid hazardous situations.

Know and understand the above principle before going on to the next section.

2 Always perform a pre-operation inspection.

3 Always perform the function tests prior to use.

4 Inspect the work place.

5 Only use the machine as a personnel lift.

- You** read, understand and obey:
 - manufacturer's instructions and safety rules—operator's manual and machine decals
 - employer's safety rules and worksite regulations
 - applicable governmental regulations
- The first time this machine is set up for use, a breather cap is installed (see *Breather Cap*, page 8).

SAFETY RULES

Tip-over Hazards



Do not raise platform unless base is level, all four outriggers are properly installed and leveling jacks firmly contact floor.

Do not adjust or remove outriggers while platform is occupied or raised.

Do not move machine while the platform is raised.

Do not place or attach overhanging loads to any part of this machine.

Do not push off or pull toward any object outside the platform.



Do not place ladders or scaffolds in platform or against any part of this machine.

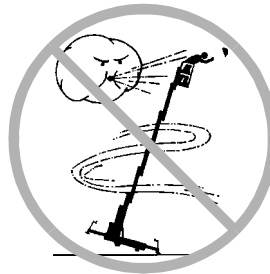
Do not use machine to lift material or equipment. Machine is intended for personnel access only.



Do not raise platform unless machine is on firm, level surface.

Do not use machine on a moving or mobile surface or vehicle.

Do not raise platform in strong or gusty winds.



Do not exceed rated platform load capacity.

Maximum capacity

AWP-19	350 lbs	159 kg
AWP-24	350 lbs	159 kg
AWP-30	300 lbs	136 kg
AWP-36	300 lbs	136 kg

Maximum occupancy

1 person

Do not operate machine near drop-offs, holes, bumps, debris, unstable or slippery surface or other possible hazardous conditions.

Do not alter or disable machine components that in any way affects safety and stability.

Do not replace items critical to stability with items of different weight or specification. Use only Genie authorized replacement parts.

When moving the machine with a forklift or other transport vehicle, platform should be fully lowered, machine should be turned off and no personnel shall remain in platform.

Do not push the Genie AWP from the platform side of the machine.

SAFETY RULES

Fall Hazards

Do not sit, stand or climb on platform guard rails. Maintain a firm footing on the platform floor at all times.



Do not exit platform while raised. If a power failure occurs, have ground personnel activate manual lowering valve.

Keep platform floor clear of debris.

Lower platform entry mid-rail before operating.

Electrocution Hazards

This machine, even with an optional fiberglass platform, is not electrically insulated and will not provide protection from contact with or proximity to electrical current.



Keep away from machine if it contacts energized power lines or becomes electrically charged. Personnel on ground or in platform must not touch or operate machine until energized power lines are shut off.

Maintain safe distances from electrical power lines and apparatus in accordance with applicable governmental regulations and the following chart.

Voltage	Minimum Safe Approach Distance	
	Feet	Meters
Phase to Phase		
0 to 300V	Avoid Contact	
300V to 50KV	10	3.05
50KV to 200KV	15	4.60
200KV to 350KV	20	6.10
350KV to 500KV	25	7.62
500KV to 750KV	35	10.67
750KV to 1000KV	45	13.72

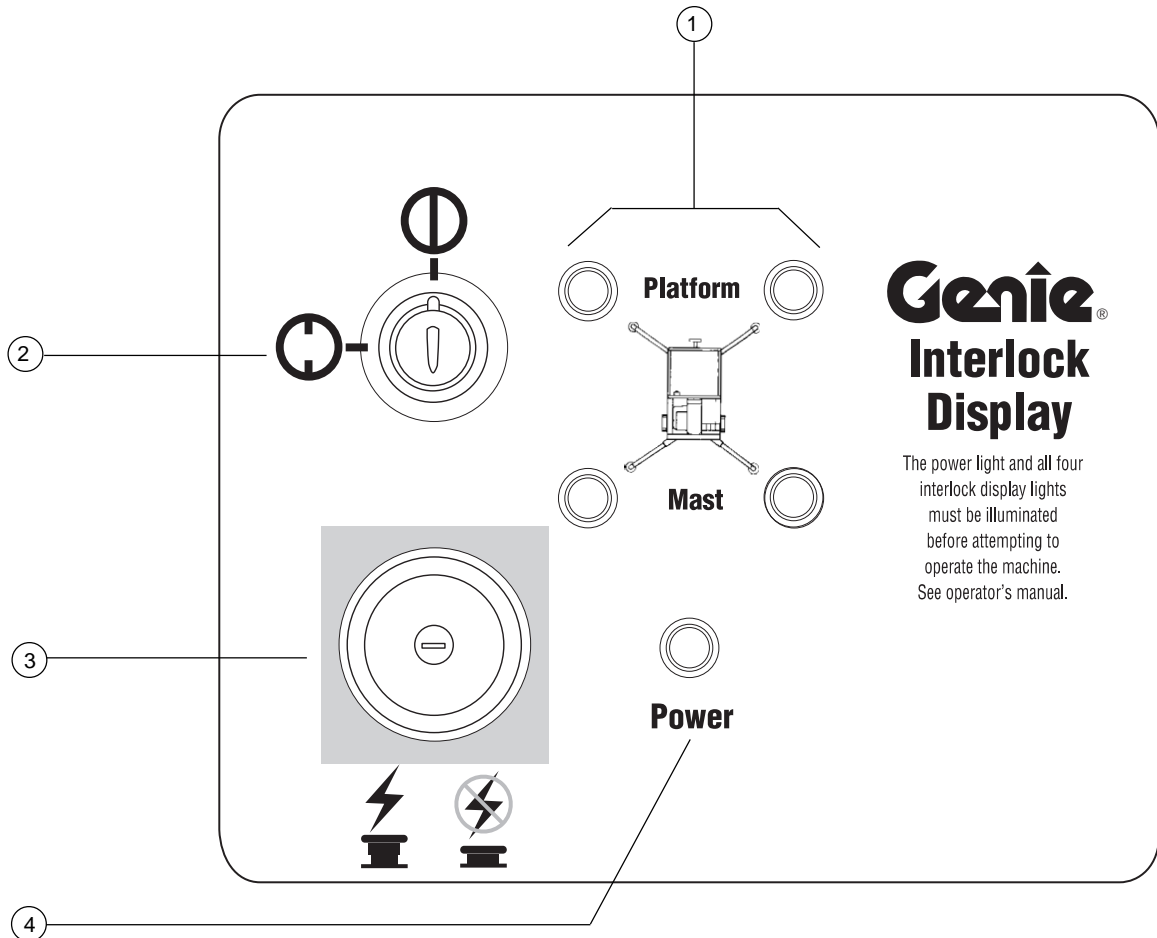
Allow for platform movement, electrical line sway or sag and movement due to strong or gusty winds.

Do not use machine as a ground for welding.

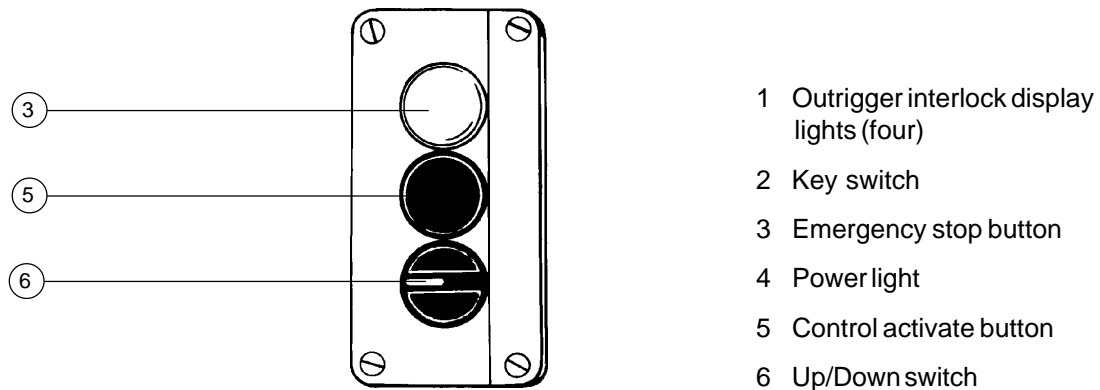
Do not operate AC powered machine or DC battery charger unless using a 3-wire grounded extension cord connected to a grounded AC circuit. Do not alter or disable 3-wire grounded plugs.

Controls

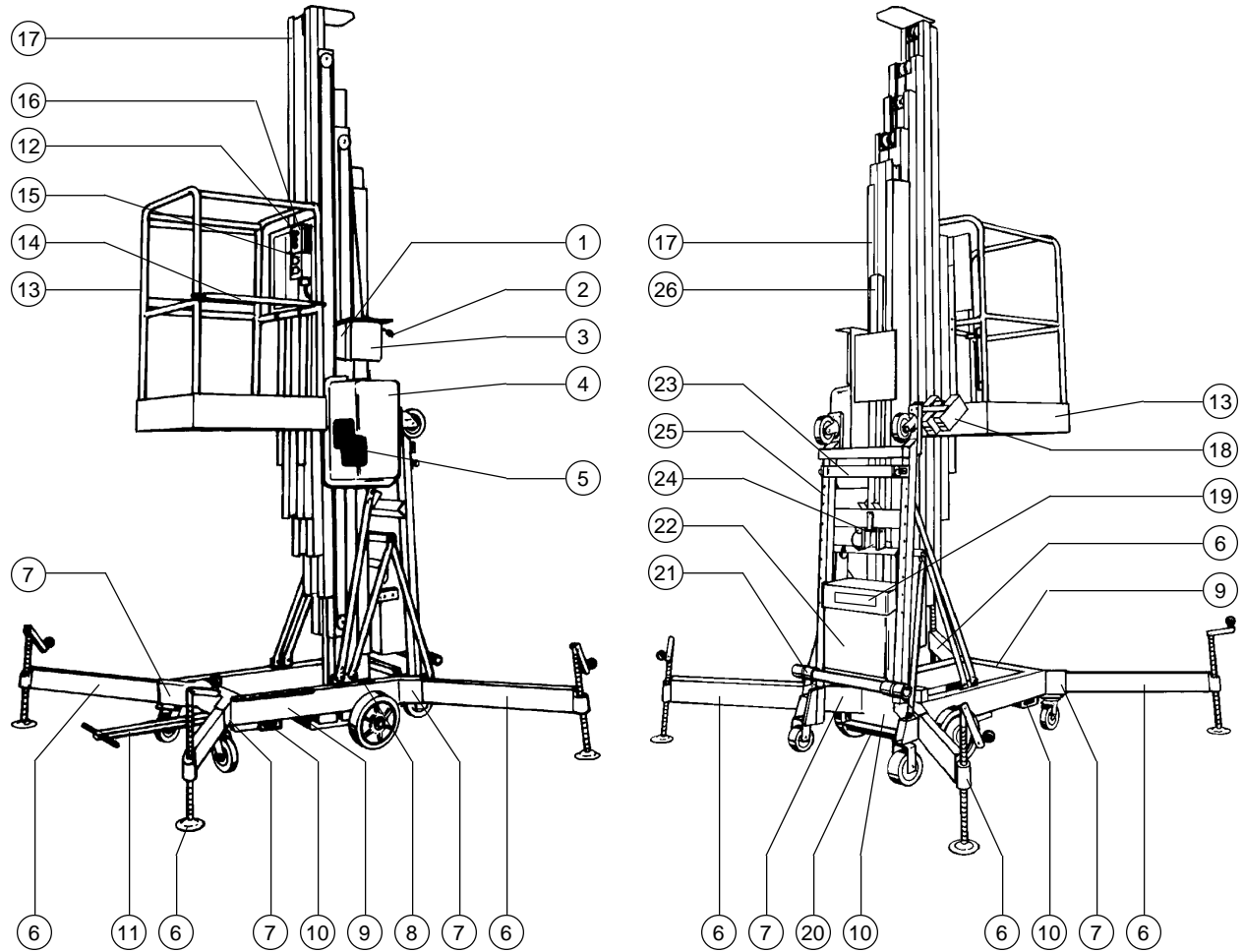
Ground Controls



Platform Controls



Legend



Model shown is a Genie AWP-36 and is representative of all AWP models.

- | | | |
|--------------------------------|--|--------------------------------|
| 1 Fuse(s) | 9 Base | 19 Battery charger (DC models) |
| 2 AC power supply cord | 10 Transport tie down | 20 Forklift pocket |
| 3 Ground controls | 11 Sliding T-handle | 21 Loading pivot bar |
| 4 Hydraulic power unit | 12 Operator's manual storage container | 22 Battery pack (DC models) |
| 5 Manual lowering valve | 13 Platform | 23 Loading stop bracket |
| 6 Outrigger with leveling jack | 14 Platform entry mid-rail | 24 Retaining pin* |
| 7 Base outrigger socket | 15 AC outlet | 25 Tilt-back frame* |
| 8 Bubble level | 16 Platform controls | 26 Tilt-back strut* |
| | 17 Mast | |
| | 18 Outrigger storage socket | |

* Tilt-back frame is standard on AWP-30 and 36, and optional on AWP 19 and 24.

Pre-operation Inspection



Do Not Operate Unless:

- ☑ **You** learn and practice the principles of safe machine operation contained in this operator's manual.
 - 1 Avoid hazardous situations.
 - 2 Always perform a pre-operation inspection.**
Know and understand the above principle before going on to the next section.
 - 3 Always perform the function tests prior to use.
 - 4 Inspect the work place.
 - 5 Only use the machine as a personnel lift.

Fundamentals

The Pre-operation Inspection is a visual inspection performed by the operator prior to each work shift. This inspection is designed to discover if anything is apparently wrong with a machine before the operator tests it.

Inspect the machine for modifications, damage or loose or missing parts.

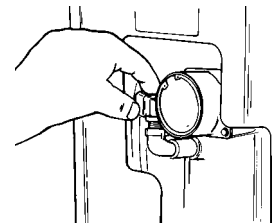
A damaged or modified machine must never be used. If damage or any variation from factory delivered condition is discovered, the machine must be tagged and removed from service.

Repairs to the machine may only be made by a qualified service technician, according to the manufacturer's specifications. After repairs are completed, the operator must perform a pre-operation inspection again before testing functions.

Breather Cap

Component damage will occur if the machine is operated without a breather cap.

The first time this machine is set up for use, the pipe plug in the hydraulic reservoir should be removed and permanently replaced with a breather cap.



A breather cap is supplied and can be found in an envelope taped to the mast near the platform controls.

PRE-OPERATION INSPECTION

Pre-operation Inspection

- Be sure that the operator's manual is complete, legible and in the storage container located in the platform.
- Be sure that all decals are legible and in place (see Decals, page 18).
- Check the hydraulic oil level. Check for leaks.
- Check the following components or areas for damage and improperly installed, loose or missing parts:
 - Electrical components, wiring and electrical cables
 - Hydraulic power unit, hoses, fittings and cylinder
 - Platform entry mid-rail
 - Sequencing cables and pulleys
 - Lifting chains and idler wheels
 - Nuts, bolts and other fasteners
 - Weld or structural cracks
 - Mast columns and counterweight
 - Breather cap
 - Outriggers, leveling jacks and footpads
- Check entire machine for:
 - Dents or damage
 - Corrosion or oxidation
 - Crack in welds or structural components
- Inspect and clean battery terminals and all battery cable connections.
- Be sure that all structural and other critical components are present and all associated fasteners and pins are in place and properly tightened.

Function Tests



Do Not Operate Unless:

- You** learn and practice the principles of safe machine operation contained in this operator's manual.

- 1 Avoid hazardous situations.
- 2 Always perform a pre-operation inspection.

3 Always perform the function tests prior to use.

Know and understand the above principle before going on to the next section.

- 4 Inspect the work place.
- 5 Only use the machine as a personnel lift.

- You** read, understand and obey:
 - manufacturer's instructions and safety rules—operator's manual and machine decals
 - employer's safety rules and worksite regulations
 - applicable governmental regulations

The first time this machine is set up for use, a breather cap is installed (see *Breather Cap*, page 8).

Fundamentals

The Function Tests are designed to discover any malfunctions before the machine is put into service. The operator must follow the step-by-step instructions to test all machine functions.

A malfunctioning machine must never be used. If malfunctions are discovered, the machine must be tagged and removed from service. Repairs to the machine may only be made by a qualified service technician, according to the manufacturers specifications.

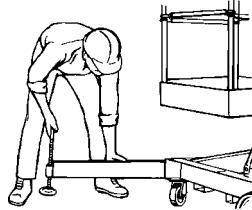
After repairs are completed, the operator must perform a pre-operation inspection and function tests before putting the machine into service.

FUNCTION TESTS

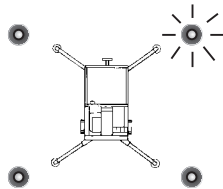
Function Tests

- 1 Select a test area free of obstructions.
- 2 Connect appropriate power source.
- 3 Turn the key switch to the ON position.
- ☉ Result: The power light should come on.
- 4 Pull out the red Emergency Stop button to the ON position.

- 5 Select an outrigger and slide it into a base socket until the outrigger lock pin snaps into place. Bring the outrigger leveling jack into firm contact with ground.



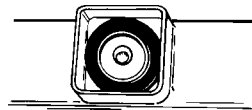
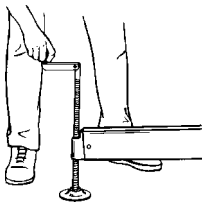
- 6 Check the interlock display lights at the ground controls. Confirm that the corresponding light is on.



- 7 Repeat procedure for each of the remaining outriggers.

Test Emergency Stop

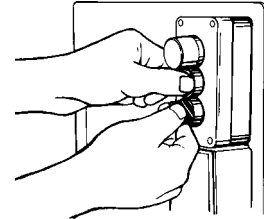
- 8 Use the bubble level and adjust leveling jacks until the machine base is level.



- 9 Twist to release the red Emergency Stop button at the platform controls.
- 10 Push in the red Emergency Stop button at the ground controls to the OFF position.

- 11 Push in the control activate button and rotate the up/down switch in the direction of intended travel.

- ☉ Result: Up/Down functions should **not** operate.



- 12 Push in the red Emergency Stop button at the platform controls to the OFF position.

- 13 Pull out the red Emergency Stop button at the ground controls to the ON position.

- 14 Push in the control activate button and rotate the up/down switch in the direction of intended travel.

- ☉ Result: Up/Down functions should **not** operate.

Test Outrigger Interlock

- 15 Twist to release the red Emergency Stop button at the platform controls.

- 16 Pull out the red Emergency Stop button at the ground controls to the ON position.

- ☉ Result: Up/Down functions should operate.

- 17 Unscrew one leveling jack until the corresponding interlock display light turns off.

- ☉ Result: Up/Down functions should **not** operate.

- 18 Return the leveling jack to previous setting and check the bubble level.

- 19 Repeat procedure for each outrigger.

Test Manual Lowering

- 20 Raise platform slightly.

- 21 Activate the manual lowering valve located on the hydraulic power unit.

- ☉ Result: Platform should descend.

Work Place Inspection



Do Not Operate Unless:

You learn and practice the principles of safe machine operation contained in this operator's manual.

- 1 Avoid hazardous situations.
- 2 Always perform a pre-operation inspection.
- 3 Always perform function tests prior to use.

4 Inspect the work place.

Know and understand the above principles before going on to the next section.

- 5 Only use the machine as it was intended.

Work Place Inspection

Be aware of and avoid the following hazardous situations:

- drop-offs or holes
- bumps, floor obstructions or debris
- overhead obstructions and high voltage conductors
- hazardous locations
- inadequate surface support to withstand all load forces imposed by the machine
- wind and weather conditions
- the presence of unauthorized personnel
- other possible unsafe conditions

Fundamentals

The Work Place Inspection helps the operator determine if the work place is suitable for safe machine operation. It should be performed by the operator prior to moving the machine to the work place.

It is the operator's responsibility to read and remember the work place hazards, then watch for and avoid them while moving, setting up and operating the machine.

Operating Instructions



Do Not Operate Unless:

- ☑ You learn and practice the principles of safe machine operation contained in this operator's manual.
 - 1 Avoid hazardous situations.
 - 2 Always perform a pre-operation inspection.
 - 3 Always perform function tests prior to use.
 - 4 Inspect the work place.
 - 5 **Only use the machine as a personnel lift.**

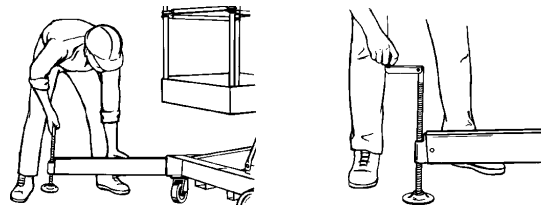
Fundamentals

Using the machine for anything other than lifting material is unsafe.

If more than one operator is expected to use a machine at different times in the same work shift, each operator is expected to follow all safety rules and instructions in the operator's manual. That means every new operator should perform a pre-operation inspection, function tests and a work place inspection before using the machine.

Setup

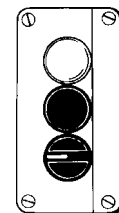
- 1 Position machine on a firm, level surface directly below desired work area.
- 2 Connect to appropriate power source:
DC models: Connect battery pack.
AC models: Connect to a grounded 15A AC power supply. Use a 12 gauge (3.3mm²) 3-wire grounded extension cord no longer than 50 feet (13m).
- 3 Insert key and turn to the ON position.
- 4 Pull out the red Emergency Stop button and be sure the power light is on.
- 5 Install outriggers and adjust to level the machine and raise base casters slightly off the ground.



- 6 Check the interlock display. Be sure that all four interlock display lights are on.

Emergency Stop

Push in the red Emergency Stop button at platform controls or at ground controls to stop all functions.



Emergency Stop
Control Activate
Up/Down Switch

Manual Lowering

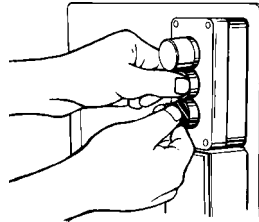
- 1 Activated from ground only.
- 2 Activate manual lowering valve located on hydraulic power unit to lower platform.

OPERATING INSTRUCTIONS

Platform Raise and Lower

- 1 Follow *Setup* procedure.
- 2 Twist to release the red Emergency Stop button.
- 3 Push in control activate button and rotate the

up/down switch in the desired direction of travel.

**After Each Use**

- 1 Select a safe storage location—firm, level surface, weather protected, clear of obstruction and traffic.
- 2 Chock wheels to prevent machine from rolling.
- 3 Remove key to secure from unauthorized use.
- 4 DC models: Disconnect battery pack and recharge battery.

**Battery and Charger Instructions****Observe and Obey:**

- Do not use external charger or booster battery.
- Charge battery in a well-ventilated area.
- Use proper AC input voltage for charging as indicated on charger.
- Use only Genie authorized battery and charger.
CSA applicable model:
Manual Lester charger 06685 or 06670
Automatic Lester charger 15840-90

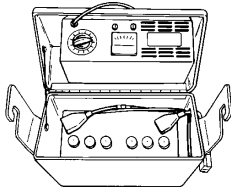
OPERATING INSTRUCTIONS

To Charge Battery

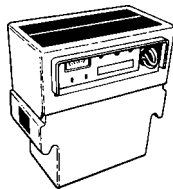
- 1 **Manual charger models:** Disconnect the battery pack from the machine.
- 2 Open battery pack lid to access battery.
- 3 Remove the battery vent caps and check the battery acid level. If necessary, add only enough water to cover the plates. Do not overfill prior to charging cycle.
- 4 Replace the vent caps.

Style A models: Battery pack lid must remain open during entire charging cycle.

Style B models: Battery pack lid can remain open or closed during the charging cycle.



Style A



Style B

- 5 Connect the battery charger to grounded AC circuit.
- 6 **Automatic charger models:** Set the power switch to the AUTO position. Charger will start after a short delay.

Manual Charger models: Set the timer based on the amount of use:

Light use—less than 15 lifting cycles: Set to 7 hours.

Heavy use—greater than 15 lifting cycles: Set to ON position.

- 7 **All models:** The charger will automatically shut off at end of the set period.

Manual charger models: If ampere meter drops to 3A or less within the first 15 minutes, the

battery is fully charged and the battery charger should be turned off.

- 8 Disconnect the AC supply.
- 9 Check the battery acid level when the charging cycle is completed. Replenish with water to the bottom of the fill tube.

Dry Battery Filling and Charging Instructions

- 1 Remove battery vent caps and permanently remove plastic seal from battery vent openings.
- 2 Fill each cell with battery acid (electrolyte) until level is sufficient to cover plates.

Do not fill to maximum level until battery charge cycle is complete. Overfilling can cause the battery acid to overflow during charging. Neutralize battery acid spills with baking soda and water.

- 3 Install the vent caps.
- 4 Charge the battery.
- 5 Check the battery acid level when the charging cycle is complete. Replenish with water to the bottom of the fill tube.

OPERATING INSTRUCTIONS



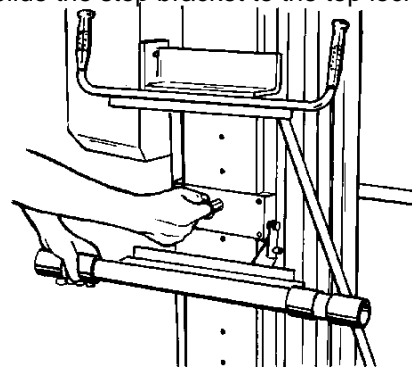
Transport Instructions

Observe and Obey:

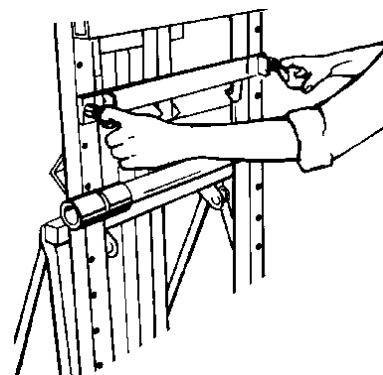
- ☑ Be sure vehicle capacity and loading surfaces are sufficient to support machine weight (see *Specifications*, page 21). Some pick-up truck tailgates are not strong enough to support the weight of the machine and may require reinforcement.
- ☑ Do not load machine onto a vehicle unless it is parked on a level surface.
- ☑ Transport vehicle must be secured to prevent rolling while machine is being loaded.
- ☑ Lifting force needed to tilt machine onto transport vehicle requires two people.
- ☑ Machine must be securely fastened to transport vehicle.
- ☑ Be sure to lock both swivel casters on tilt-back frame.
- ☑ Do not transport with the tilt-back frame in the lowered position. Tilt-back frame is standard on AWP-30 and 36, and optional on AWP-19 and 24.

Loading for Transport

- 1 Fully lower platform.
- 2 Push in red Emergency Stop buttons, turn key switch to the OFF position and remove key.
- 3 Remove outriggers from base and place in storage sockets.
- 4 DC models: Disconnect battery cable and remove battery pack.
- 5 Inspect entire machine for loose or unsecured items.
- 6 Slide the stop bracket to the top lock position.



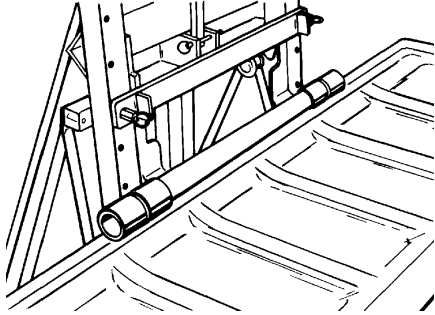
Genie AWP-19 & 24 without tilt-back frame



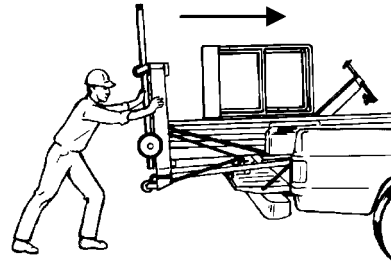
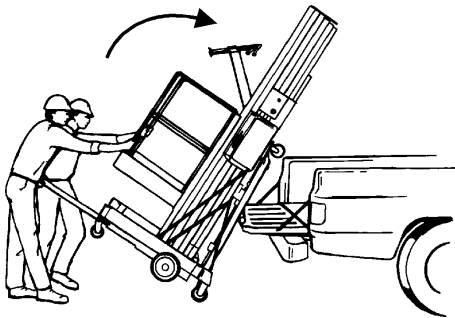
All models with tilt-back frame

OPERATING INSTRUCTIONS

- 6 Hook loading pivot to stop bracket.
- 7 Position machine flush against loading surface. Lower and lock stop bracket to the lowest lock pin position above loading surface.



- 8 All models with tilt-back frames:
Be sure both stop bracket lock pins are fully engaged.
Be sure both tilt-back frame swivel casters are locked.
- 9 Slide out T-handle until lock pin snaps into place.
- 10 Two people should lift T-handle to tilt machine onto loading surface.



- 11 Carefully push machine into transport position.
- 12 Return sliding T-handle to stowed position.
- 13 Secure the machine base and mast to the transport vehicle. Use chains or straps of ample load capacity.
- 14 Reverse procedure to unload.

OPERATING INSTRUCTIONS



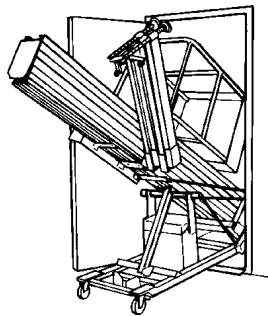
Tilt-back Operation Instructions

Observe and obey:

- ☑ Retaining pin must be inserted to prevent spring loaded tilt-back frame from dropping.
- ☑ Do not tilt the machine back unless area is clear of personnel and obstructions.
- ☑ Do not stand behind or under tilt-back frame when raising or lowering it.
- ☑ Lifting force necessary requires two people.

Tilt-back Frame

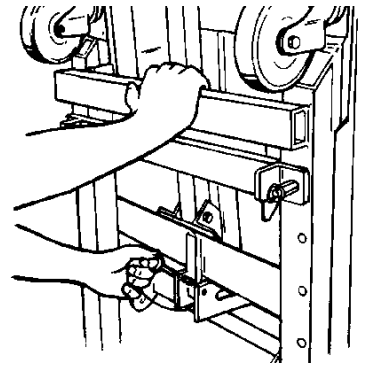
The Genie AWP has a tilt-back frame which allows the machine to roll through a standard doorway. The tilt-back frame is standard in AWP-30 and 36, and optional on AWP-19 and 24.



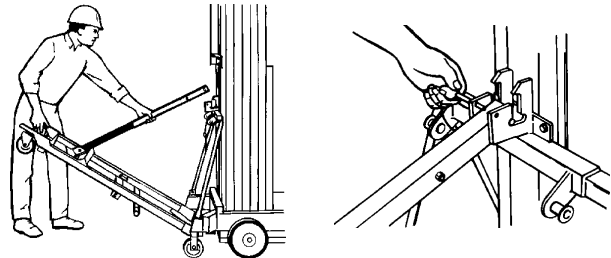
Lowering Tilt-back Assembly

- 1 Be sure area behind machine and under tilt-back frame is clear of personnel and obstructions.
- 2 Remove outriggers from base and place in storage sockets.

Tilt-back frame is spring loaded and will immediately fall outward when retaining pin is removed. Maintain firm grasp on tilt-back frame and remove retaining pin.



- 3 Lower tilt-back frame and guide the tilt-back



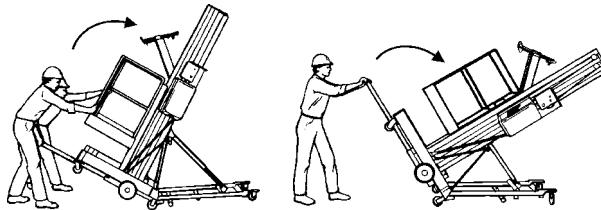
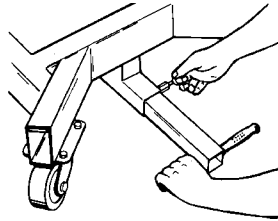
strut into the strut socket.

- 4 Insert retaining pin into strut socket.

OPERATING INSTRUCTIONS

Tilting back Machine

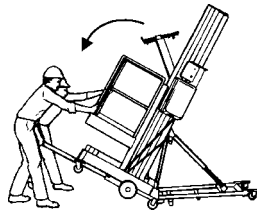
- 1 Slide out T-handle until lock pin snaps into place.
- 2 Two people should lift the machine with the T-handle to mid-tilt position—casters on tilt-back frame contact floor, and machine supported by extended tilt-back strut.



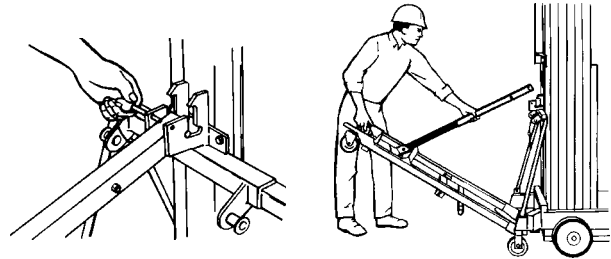
- 3 Continue lifting until telescoping tilt-back strut is completely compressed.

Returning Machine To Standing Position

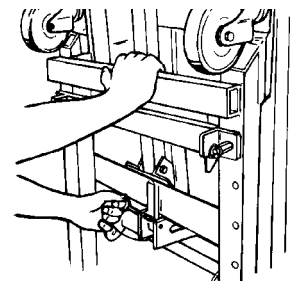
- 1 Be sure area below machine base and T-handle is clear of personnel and obstructions.
- 2 Carefully pull down T-handle until machine rests at mid-tilt position.
- 3 Two people should lower the machine with the T-handle until base casters are in contact with ground.
- 4 Return sliding T-handle to stowed position.



Stowing Tilt-back Assembly



- 1 Remove retaining pin.
- 2 Firmly grasp tilt-back frame and remove tilt-back strut from strut socket.
- 3 Lift tilt-back frame, hold in upright position against spring and secure with retaining pin.



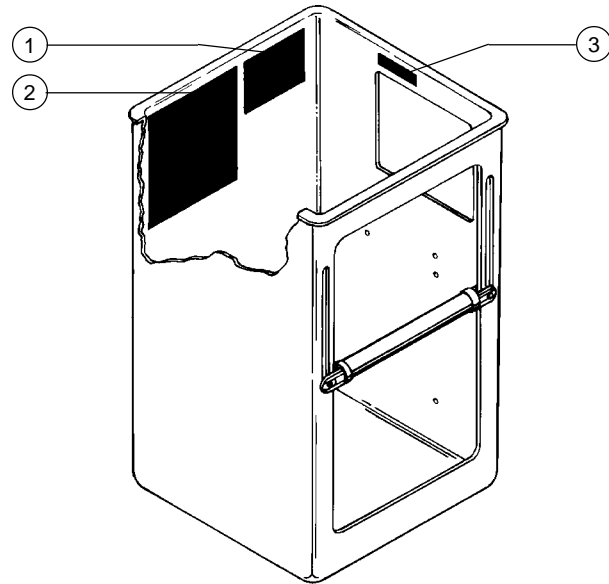
Decals

Index	Part No. Decal Description	Quantity	Index	Part No. Decal Description	Quantity
1	31237 Notice - Before Each Work Shift	1	17	31311 Label - AWP-19 or 31312 Label - AWP-24 or 31452 Label - AWP-30 or 31453 Label - AWP-36	2 2 2 2
2	31243 Danger - General Safety	1	18	31067 Notice - Operating Instructions	1
3	31071 Warning - Failure to Read/Obey Manual	1	19	31069 (AWP-19 & 24 models only) Notice - maximum Capacity 350 lbs or 27870 (AWP-30 & 36 models only) Notice - Maximum Capacity, 300 lbs.	1 1
4	31072 Label - Operator's Manual Storage Container	1	20	27872 Danger - Tip-over Hazard (outriggers)	1
5	33597 Label - Fuses (AC models only)	1	21	27841 Label - Stop Bracket	1
6	31074 Label - ANSI/Patents	1	22	27842 Label - Loading Pivot	1
7	33598 Label - Interlock Display	1	23	27864 Notice - Lower Stop Bracket before ...	1
8	27845 Notice - Manual Lowering Lever Caution - Collision Hazard (descending platform) or 32986 Notice - Manual Lowering Knob Caution - Collision Hazard (descending platform)	1 1	24	27868 Danger - Relief Valve	1
9	31245 Warning - Collision Hazard (runaway lift)	1	25	27867 Label - Swivel Lock	2
10	31076 Caution - 8A Maximum, 115V AC	1	26	27873 Notice - Maintain firm grasp on ...	1
11	28157 Notice - Dexron	1	27	27844 Label - Strut Socket	1
12	27857 Caution - Pipe Plug	1	28	27840 Label - Retaining Pin	1
13	1699 Safety Tape	—	29	27843 Label - Tilt-back Strut	1
14	27865 Label - Bubble Level	1			
15	27863 Caution - Component Damage Hazard	3			
16	27839 Label - Sliding T-handle	1			

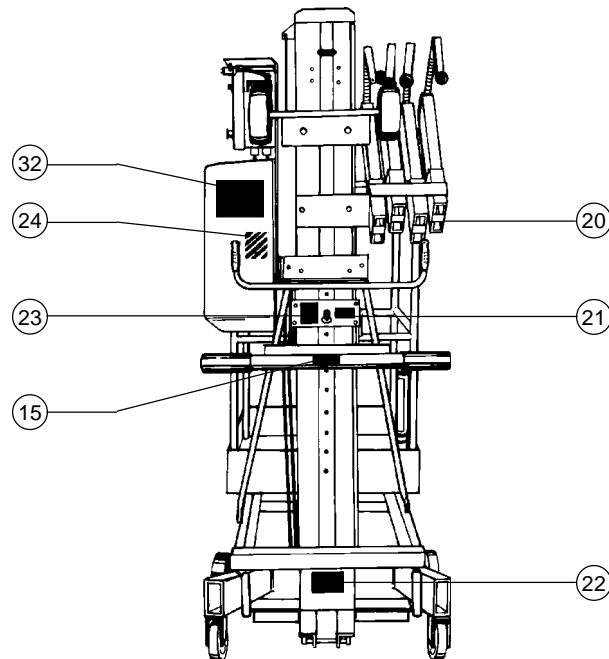
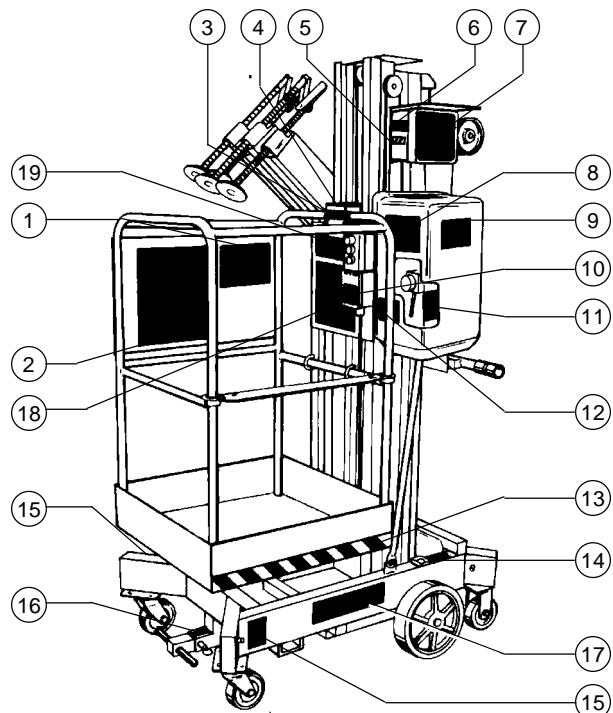
DECALS

Index	Part No. Decal Description	Quantity
30	27838 Warning - Tilt-back Hazards Notice - Tilt-back Instructions	1
31	27874 Label - Insert retaining pin into ...	1
32	31070 Danger - Tip-over Hazard (moving machine)	1
33	31068 Danger - Battery Safety Notice - Battery Charger Instructions	1
34	28372 Caution - Quick Disconnect	1
35	28398 Danger - Battery Safety (manual charger)	1
36	27856 Caution - Component Damage (manual charger)	1
37	27853 Notice - Battery Charger Instructions	1

Fiberglass Platform Option

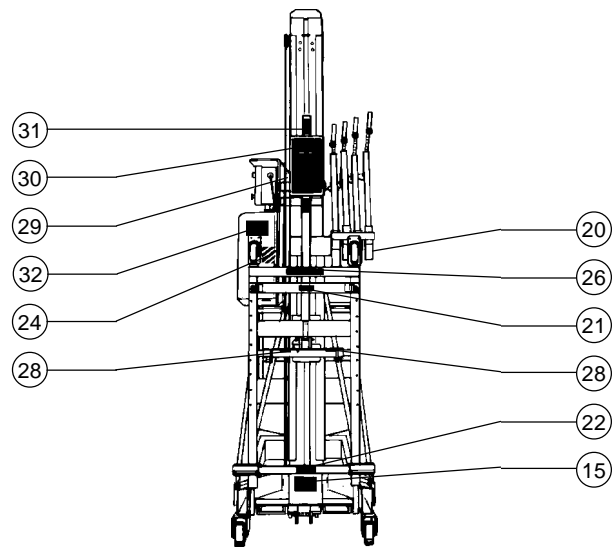
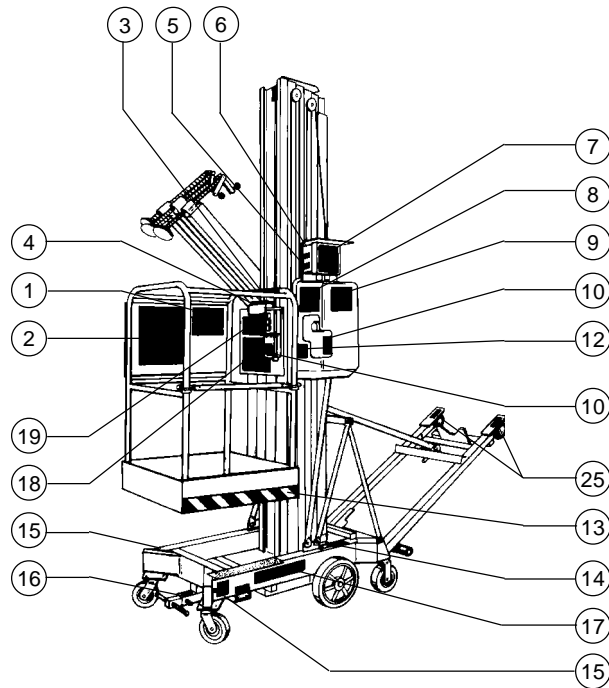


AWP-19 & 24 without Tilt-back Frame



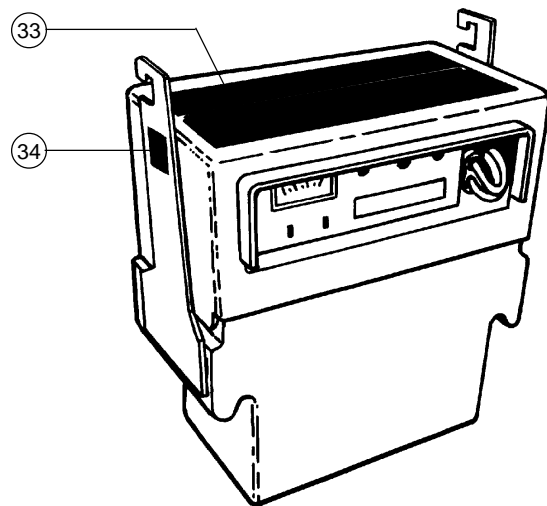
DECALS

All Models with Tilt-back Frame

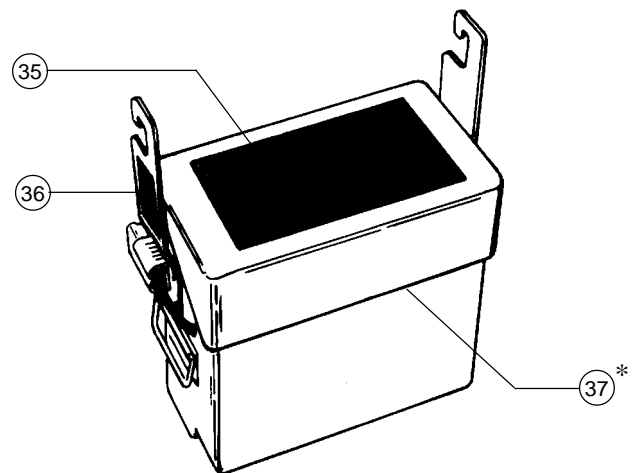


Tilt-back frame is standard on AWP 30 and 36, and optional on AWP-19 and 24.

Battery Pack - Automatic Charger



Battery Pack - Manual Charger



*This decal is visible when battery pack cover is raised.

Specifications

Model	AWP-19	AWP-24	AWP-30	AWP-36
Height, working maximum	25 ft 6 in 7.8 m	30 ft 9.1 m	36 ft 11.0 m	42 ft 12.8 m
Height, platform maximum	19 ft 6 in 5.9 m	24 ft 7.3 m	30 ft 9.1 m	36 ft 11.0 m
Lift capacity	350 lbs 159 kg	350 lbs 159 kg	300 lbs 136 kg	300 lbs 136 kg
Power source				
DC model	12V	12V	12V	12V
AC model	110V or 220V	110V or 220V	110V or 220V	110V or 220V
Machine weight (DC / AC models)	694 / 623 lbs 315 / 283 kg	717 / 639 lbs 325 / 290 kg	866 / 788 lbs 393 / 357 kg	940 / 868 lbs 426 / 394 kg
Height, stowed	79 in 200 cm	79 in 200 cm	93 in 236 cm	112 in 284 cm
Width	29 in 74 cm	29 in 74 cm	29 in 74 cm	29 in 74 cm
Length	47.5 in 120.6 cm	47.5 in 120.6 cm	51.5 in 130.8 cm	51.5 in 130.8 cm
Platform length	26 in 66 cm	26 in 66 cm	26 in 66 cm	26 in 66 cm
Platform width	26 in 66 cm	26 in 66 cm	26 in 66 cm	26 in 66 cm
Platform height	43 in 106 cm	43 in 106 cm	43 in 106 cm	43 in 106 cm
Outrigger footprint	65 x 58 in 164 x 146.5 cm	65 x 58 in 164 x 146.5 cm	75 x 73 in 190.5 x 185.5 cm	81 x 81 in 205 x 205 cm

Continuous improvement of our products is a Genie policy. Product specifications are subject to change without notice or obligation.



U.S.A.

18340 NE 76th Street
P.O. Box 69
Redmond, Washington
98073-0069



Europe

Brunel Drive
Newark
Nottinghamshire
NG24 2EG England